



Electric Pallet Truck
RPT20/25/30
Capacity 2000/2500/3000kg

*Join the Alliance,
we buy together,
buy the best and buy the cheapest*

RPT20/25/30 as a stand-on driving type electric truck suitable for high strength condition use, it provides users with safe, comfortable, reliable logistic solutions.

The optional EPS system can reduce the labor intensity. The AC driving motor provides constant strong power and it is maintenance free. Standard equipped with large 160/210/270Ah capacity battery, can meet customers' requirement of continuous working, side-way battery design is convenient for the customer to replace the battery, Metal cover provide strong protection.



- ✓ Size reduced cover plate, more sense of design, easier maintenance.
- ✓ Full steel cover protect from scrapes, reinforced safe assurance to core parts. No more need to worry about tiny daily damage on appearance and the resulting influence to internal systems.
- ✓ Laser cut all frame parts, high accuracy, neat and clean.
- ✓ Side slidable battery box, 30% faster in fork falling, designed for saving your precious time.



- ✓ Innovative slide rail lifting structure, lower abrasion, improved power efficiency, designed for handling heavy usage. Save time and trouble.
- ✓ Wider rider platform, good set up spring shock absorber, more space of standing, more sense of comfortable, longer work life.

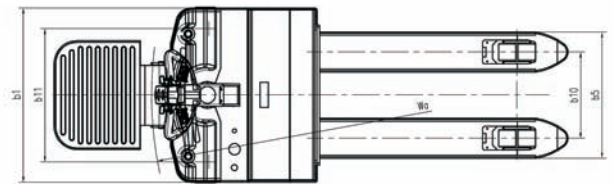
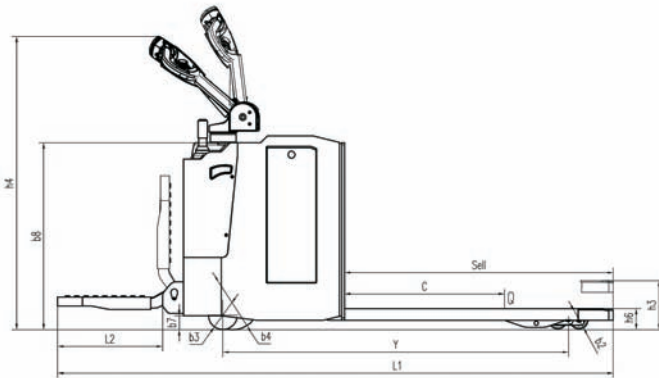
Technical Data

		Model	RPT20/25/30			
Feature	1.1	Q	capacity	kg	2000/2500/3000	
	1.2	C	load center	mm	600	
	1.3		operator type		walkie/rider	
	1.4		Electric power steering(EPS)		EPS Option	
Dimensions	2.1	H ₁	lifting height	mm	85~200	
	2.12	H	Max. fork lifting height	mm	200	
	2.13	H ₂	Lowered height of fork	mm	85	
	2.14	H ₅	Height of tiller arm in drive position min./max.	mm	1030/1200	
	2.15	H ₄	rear body height	mm	800	
	2.2	B ₁	standard fork width	mm	580	
	2.3	L	fork length	mm	1150	
	2.4	S	fork thickness	mm	54	
	2.5	E	fork width	mm	185	
	2.6	L ₁	overall length	mm	2375	
	2.7	L ₂	rear length	mm	585	
	2.8	B	overall width	mm	780	
	2.9	Wa	minimum turning radius	mm	1720	
			Clearance	mm	40	
	2.91	Ast	aisle width (800*1200mm pallet): horizontal/vertical	mm	2300	
2.92	Ast	aisle width (1000*1200mm pallet): horizontal/vertical	mm	2400		
Performance	3.1		maximum traveling speed	laden	km/h	5
				unladen	km/h	5.3
	3.2		maximum lifting speed	laden	m/s	35
				unladen	m/s	45
	3.3		maximum lowering speed	laden	m/s	50
				unladen	m/s	40
3.4		gradeability	laden	%	2/5	
			unladen	%	6/9	
Weight	4.1		Service weight without battery	kg	490	
	4.2		Service weight with battery	kg	700	
Wheel	5.1		wheel(drive/load) Type		PU	
	5.2		wheel quantity(drive/balance/load)		1/2/4	
	5.3	D1	size of steering wheel	mm	230	
	5.4	D2	size of Loading wheel	mm	78	
	5.5		size of balance wheel	mm	124	
	5.6	Y	wheel base	mm	1435	

Technical Data

Driving system	6.1	traveling motor	kw	1.3 (horizontal, 2.0/2.5ton) 1.5 (vertical, 2.0/2.5ton) 2.2 (vertical KDS, 2.0/2.5/3.0ton)
	6.2	lifting motor	kw	0.8
	6.3	voltage	V	24
	6.4	battery capacity/type	Ah	160/210/270
	6.5	maximum battery box size(L*W*H)	mm	790X210X576
	6.6	traveling brake		Regenerate
	6.7	brake type		Electromagnetic
	6.8	control system		1230-2402 (CURTIS)

Note: We are not obliged to inform you if there will be any specification change.



Liftwell Material Handling Equipment Co.,Ltd.

Tel: +86-574-89217230

Fax: +86-574-89217240

www.cnmhe.com

Because we are continually improving its products, specifications are subject to change without notice.